

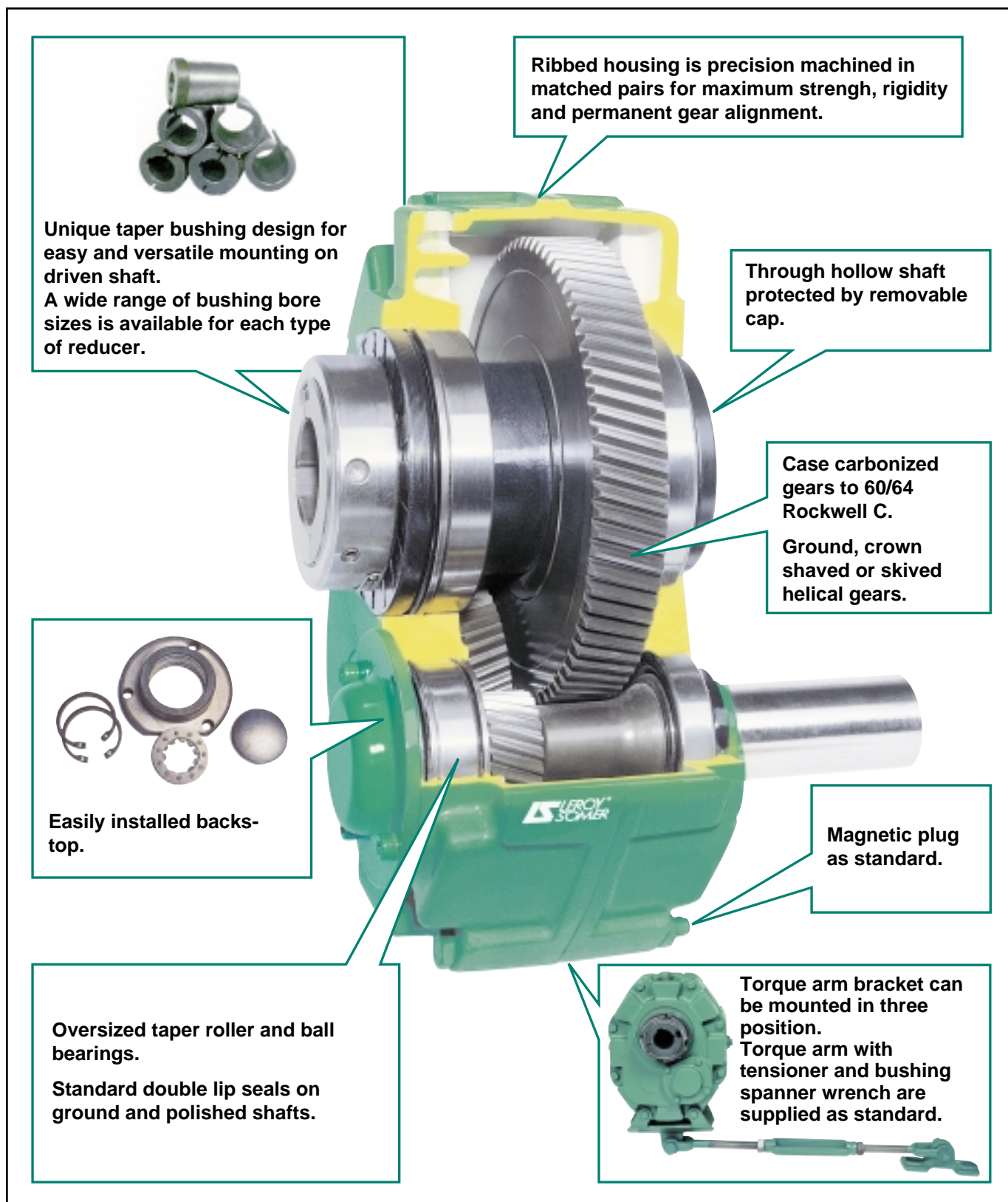


POULIBLOC 2000
Shaft mount speed reducer

POULIBLOC 2000

with exclusive taper bushing feature

Available in 8 sizes up to 55 kW
4 standard reduction ratios
1/5 - 1/12 - 1/20 - 1/25



Selection

Class I
($K_p=1$)

Poulibloc (Pb) gearbox : N plain form, with B taper bush (Pb 2005 to Pb 2720)

Input shaft mounting **AP**

10 to 355 min⁻¹

Output speed min ⁻¹	LS motors, power kW																					
	0,37	0,55	0,75	0,9	1,1	1,5	1,8	2,2	3	4	5,5	7,5	9	11	15	18,5	22	30	37	45	55	
	2 stages, reductions : 12, 15, 20 and 25																					
10				2125																		
11.2																						
12.5																2720						
14		2025																				
16					2125																	
18																						
20													2420									
22.5																						
25																						
28		2020																				
31.5																						
35.5																						
40																						
45																						
50																						
56			2015																			2712
63									2115	2215				2315	2415							2615
71																						
80															2412							
90											2212											2612
100																						
112			2012																			
125											2112		2212	2312								
140																						

1 stage, reduction : 5

50											2105											
56																						
63											2105											
71														2205								
80																						
90																						
100																						
112																						
125			2005																			
140																						
160																						
180																						
200																						
225																						
250																						
280																						
315																						
355																						

◆ A specially designed ventilation system is required for continuous duty (or use a larger size).

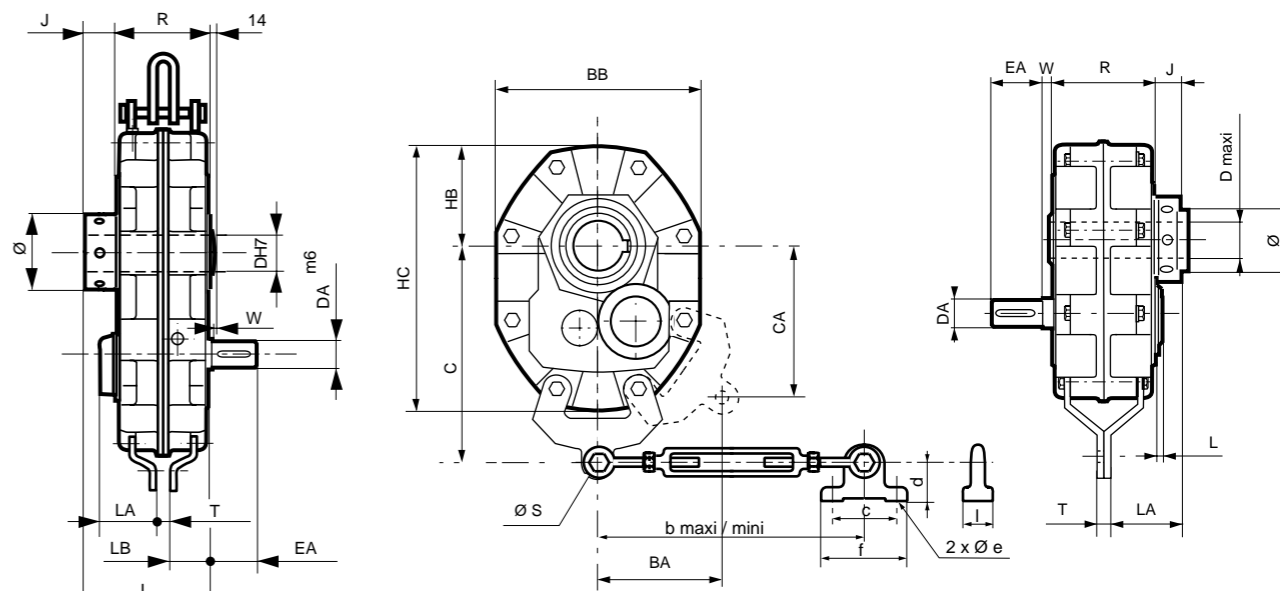
The ratio of pulley diameters is from 1/1 to 1/3, the Poulibloc reduction is selected according to the pulley ratio.

Selection :

Required power :	4 kW
Required speed :	60 min ⁻¹
Duty factor necessary for the application :	K = 1
Diameter of driven shaft :	45
Mounting :	taper bush

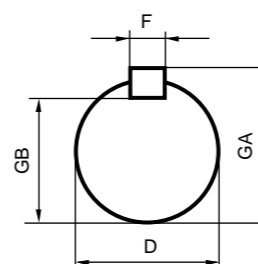
Designation : Pb 2112 B Ø 45 (motor : 4P LS 112, 4 kW, pulley ratio 1/2)
or Pb 2120 Ø 45 (motor : 4P LS 112, 4 kW, pulley ratio 1/1,2)

Dimensions



Pb 2712 - 2720

Type	Main dimensions															Torque arm									
	BA	BB	C	CA	D	DA	EA	HB	HC	J	L	LA	LB	R	S	T	W	Ø	b max	b min	c	d	e	f	l
Pb 27 --	245	410	439	306	100	65	130	191	522	61	23	157	238	238	17	20	8	135	840	670	210	80	32	280	80
Pb 26 --	247	410	439	307	100	55	120	191	522	59	23	155	238	238	17	20	6	135	590	430	105	45	17	144	50
Pb 2605	245	410	439	306	100	48	120	191	522	61	23	157	238	238	17	20	6	135	590	430	105	45	17	144	50
Pb 25 --	212	357	378	264	85	50	110	165	452	50	24	135	210	210	17	16	13	108	590	430	105	45	17	144	50
Pb 2505	212	357	378	264	85	38	80	165	452	50	24	135	210	210	17	16	13	108	590	430	105	45	17	144	50
Pb 24 --	191	315	332	233	70	50	110	146	395	38	26	123	170	170	16	10	8,5	97	506	379	95	38	15	150	53
Pb 23 --	156	284	290	204	60	35	80	133	361	36	21	106	147	147	16	10	4	80	506	379	95	38	15	150	53
Pb 22 --	139	252	260	177	55	32	80	118	320	36	25	99	131	131	16	10	9	68	506	379	95	38	15	150	53
Pb 21 --	130	214	227	157	45	28	60	100	269	36	17	91	120	120	16	10	3	64	506	379	95	38	15	150	53
Pb 20 --	112	198	210	140	38	24	60	90	245	30	12	84	109	109	16	10	4	52	506	379	95	38	15	150	53



D ^{H7}	Standard bores				Taper bushes for Pb							
	F	GB	GA		20	21	22	23	24	25	26	27
20	6	16,5	22,5									
25	8	21	28									
30	8	26	33									
35	10	30	38									
40	12	35	43									
45	14	39,5	48,5									
50	14	44,5	53,5									
55	16	49	59									
60	18	53	64									
65	18	58	69									
70	20	62,5	74,5									
75	20	67,5	79,5									
80	22	71	85									
85	22	76	90									
90	25	81	95									
95	25	86	100									
100	28	90	106									
110	28	100	116									
120	32	109	127									

Minimum length of client shaft: 80, 82, 105, 116, 134, 153, 194, 260
 ◊ : Client key with small bores, dimensions GA shown
 ∅ : Key supplied, dimensions GA not shown
 For tapered bush adaptation, please consult maintenance manual.

OTHER PRODUCT AVAILABLE IN POULIBLOC RANGE



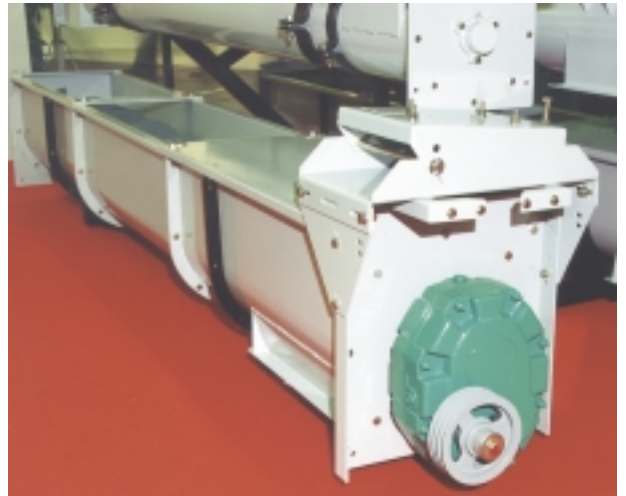
POULIBLOC 3000

Single reduction gearbox - Reduction ratio 1/2 to 1/8
Cylindrical bore. Economical series.
Available in 3 sizes up to 11 kW, with oil or grease lubrication.

▼ Belt conveyor drive



▼ Screw conveyor drive



POULIBLOC range is available from the shelf